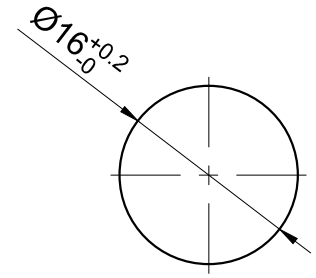
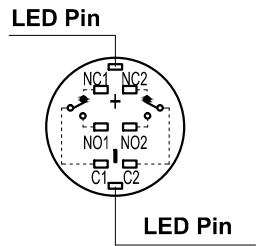
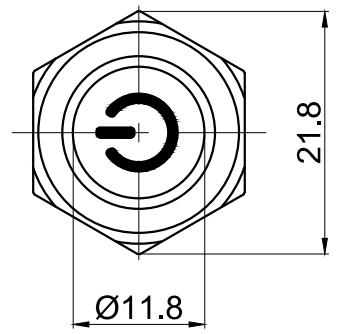
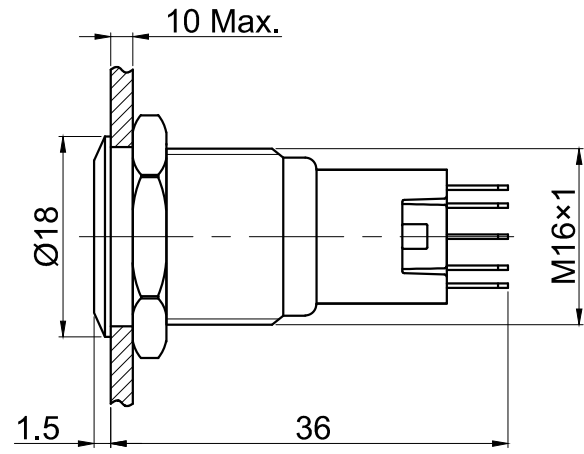
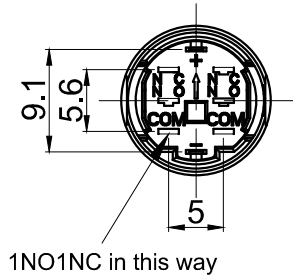
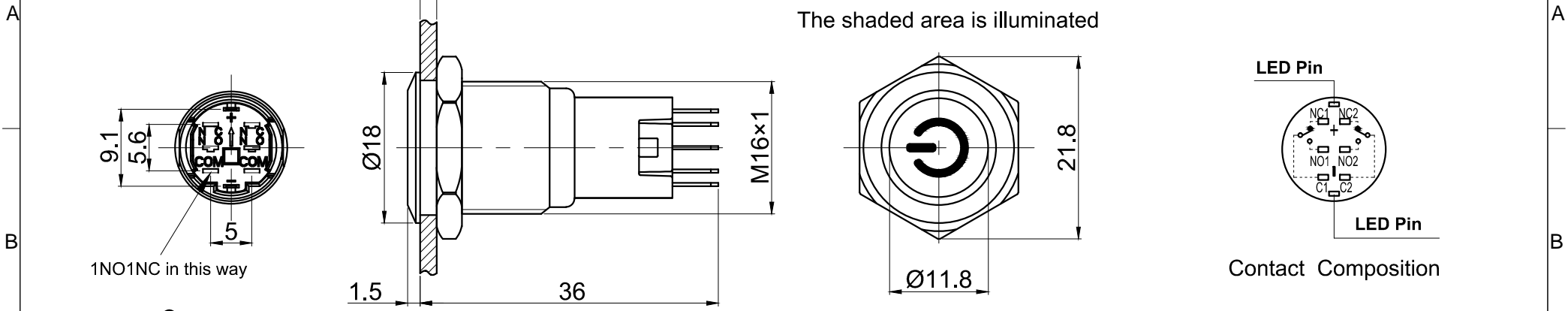
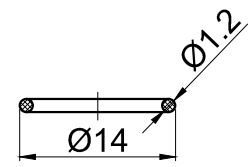


| | | |
|-------------|--------------------|---------------|
| FOR 客户名称 | APPROVED 客户确认签字 | ATTN 销售负责人 |
| | | |



PANEL CUTOUT
MAX.PANEL THICKNESS
10 mm



Seal Ring

Part Number: LAS2GQF-□■DT/△/▲/◎

| | | | | | | | |
|----|-------------------|---|------------|------------------------------------|--------------|---|---------------------|
| □ | Contact structure | △ | Lamp Color | ▲ | Lamp Voltage | ◎ | Crust material |
| 11 | 1NO1NC | R | Red | 6V | AC/DC 6V | S | Stainless steel |
| 22 | 2NO2NC | G | Green | 12V | AC/DC 12V | A | Al alloy(black) |
| | | Y | Yellow | 24V | AC/DC 24V | N | Nickel Plated Brass |
| | | B | Blue | 110V | AC/DC 110V | | |
| | | W | White | 220V | AC/DC 220V | | |
| | | | | Other voltage can be made to order | | | |

- MATERIALS:**
- Contact: Silver alloy.
 - Button: ◎.
 - Body: ◎.
 - Base: PA.

SPECIFICATIONS:

- Switch Rating: AC220V/0.5A, DC110V/0.1A.
- Mechanical Life: ≥1,000,000cycles.
- Electrical Life: ≥50,000cycles.
- Contact Resistance: ≤50mΩ.
- Insulation Resistance: ≥1,000MΩ.
- Dielectric Strength: 1,500V, RMS 50Hz, 1min.
- Operating Temperature: -25°C~ +55°C(No Freezing).
- Operating Force: About 1.2~1.8N(1NO1NC), About 1.4~2N(2NO2NC).
- Operating Travel: About 2.3mm.
- Torque: About 0.6Nm max.applied to nut.
- Protection degree: IP40/IP65/IP67;IK09.
- Terminal Type: Pin Terminal(1.8 x 0.4mm), LED Pin(1.8 x 0.3mm).

BRAND 品牌 **ONPOW** 红波按钮制造有限公司 ONPOW PUSH BUTTON MANUFACTURE CO.,LTD.

THESE DRAWINGS AND SPECIFICATIONS ARE THE PROPERTY OF ONPOW PUSH BUTTON MANUFACTURE CO.,LTD. AND SHALL NOT BE REPRODUCED COPIED OR USED IN ANY MANNER WITHOUT THE PRIOR WRITTEN CONSENT OF ONPOW PUSH BUTTON MANUFACTURE CO.,LTD.

| | | |
|------------------|------------|-----------------------|
| USED 用途 | APPD 审核 | CH 2020/04/23 |
| FINISH 处理 | CHKD 校对 | NCH 2020/04/23 |
| SCALE 比例 1.5 : 1 | UNIT 单位 mm | DR. 制图 ZPD 2020/04/23 |

| | | | | | | | |
|------------------|-----------|----------------|-----------------------------------|------------|-------|---------|---|
| DIMENSIONS | TOLERANCE | TITLE 名称 | GQ Series Anti-vandal push button | SIZE 图纸 A4 | | | |
| 0.00 TO 18.00mm | ±0.43mm | DWG NO. 图号 | | | | | |
| 18.01 TO 30.00mm | ±0.52mm | LAS2GQF-DT | | | | | |
| 30.01 TO 50.00mm | ±0.62mm | | | | | | |
| 50.01 TO 80.00mm | ±0.74mm | FILE NAME 档案名称 | LAS2GQ-DT | SHEET 张 | 1 / 1 | REV. 更改 | 1 |